

KIT PART NUMBER 1479142
KIT PART NUMBER 1489011

INSTRUCTIONS FOR INSTALLING A GUM AND MINT SUPPORT ROD KIT IN A 147 OR 148 SNACK CENTER

**CHECK THE PARTS RECEIVED IN THE KIT WITH THE PARTS LIST
IN THESE INSTRUCTIONS. IF ANY PARTS ARE MISSING,
CONTACT NATIONAL VENDORS' PARTS DEPARTMENT IMMEDIATELY.**

Read these instructions carefully before installing the kit.
Retain these instructions for part numbers and for future reference.

This kit contains the following:

PART NUMBER	DESCRIPTION	QUANTITY
1479139	Pull,Door	1
1479140	Rod,Support,Gum & Mint	1
1479141	Bracket,Rod,Gum & Mint (Used in kit 1479142 only)	1
1489009	Bracket,Rod,Gum & Mint (Used in kit 1489011 only)	1
4041053	Screw,#10-32 X 3/8 PHS T/C W/Lockwasher	2
1470026	Instructions,Installation	1

DISCONNECTING THE UPPER SUPPORT ARMS

WARNING

Disconnect the merchandiser from its power source before you complete the rest of this installation procedure. Failure to do so may result in personal injury.

1. Disconnect the left side Upper Support Arm from the Gum and Mint Frame Assembly as shown in Figure 1. Remove the screw securing the Upper Support Arm to the frame. Repeat for the right side.

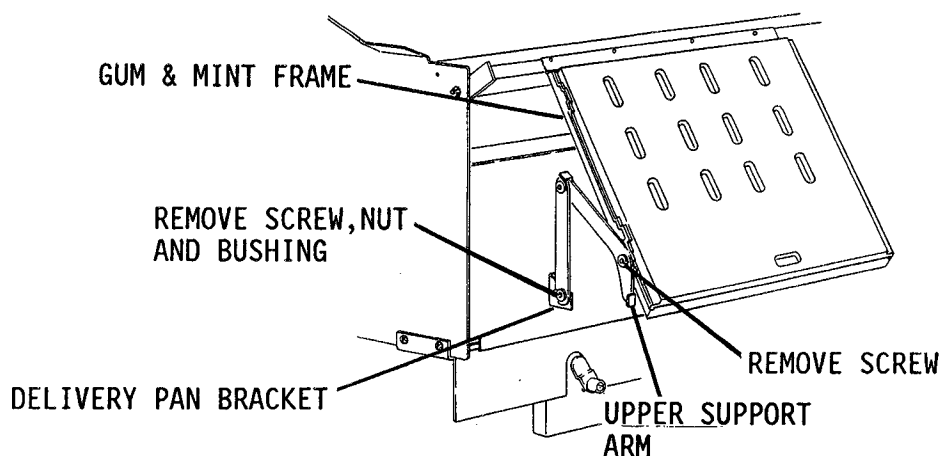


FIGURE 1. Removal of the Upper Support Arms

INSTALLING THE GUM AND MINT SUPPORT ROD BRACKET

1. Assemble the support rod and bracket as shown in Figure 2.

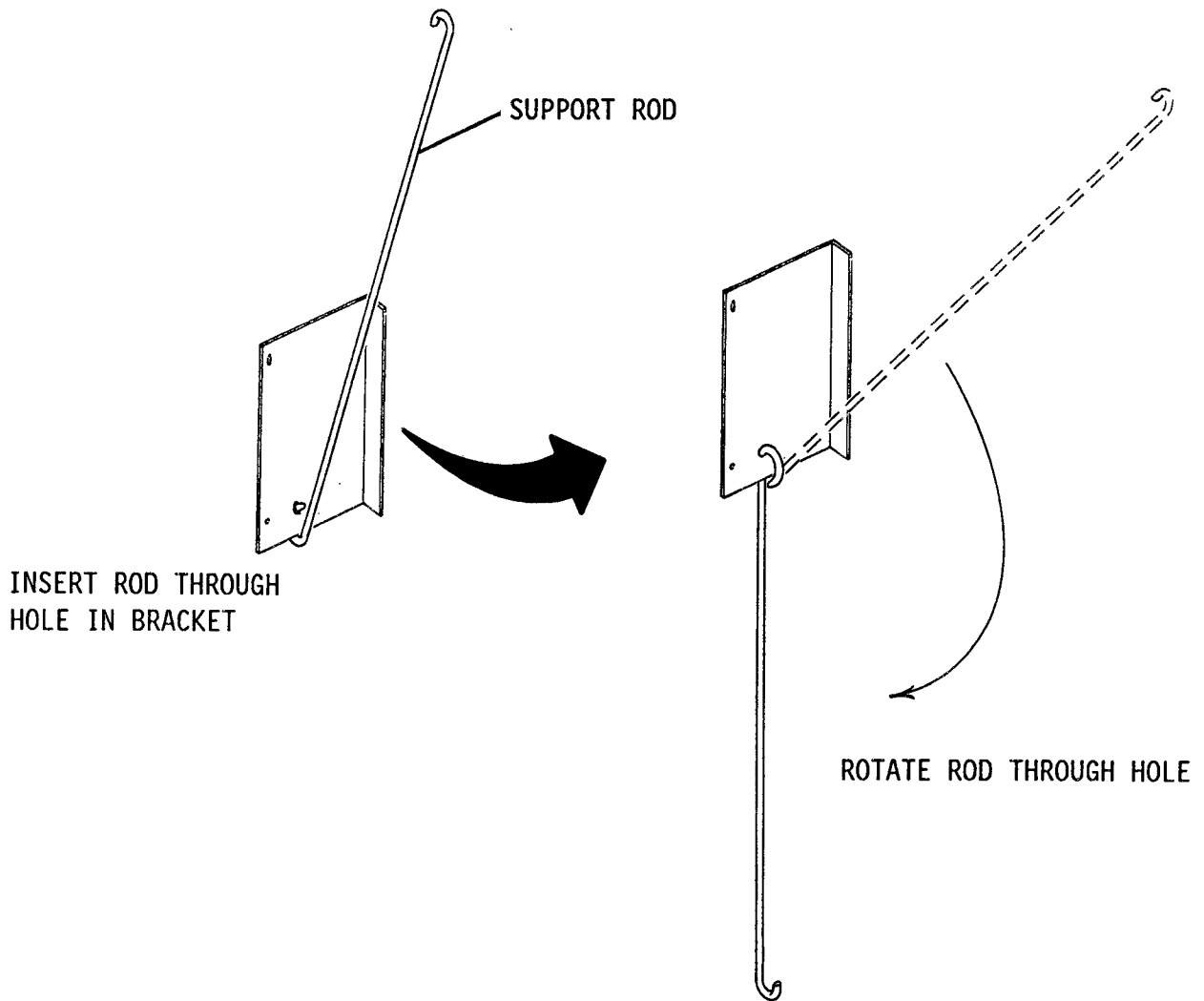


FIGURE 2. Assembling the Support Rod and Rod Bracket

2. Locate the third and fourth screws on the door glass right side retainer bracket above the delivery pan. Remove these screws. See Figure 3.
3. Mount the Gum and Mint Support Rod Bracket at this position using the two screws removed in Step 2. See Figure 3 for correct orientation of rod bracket.

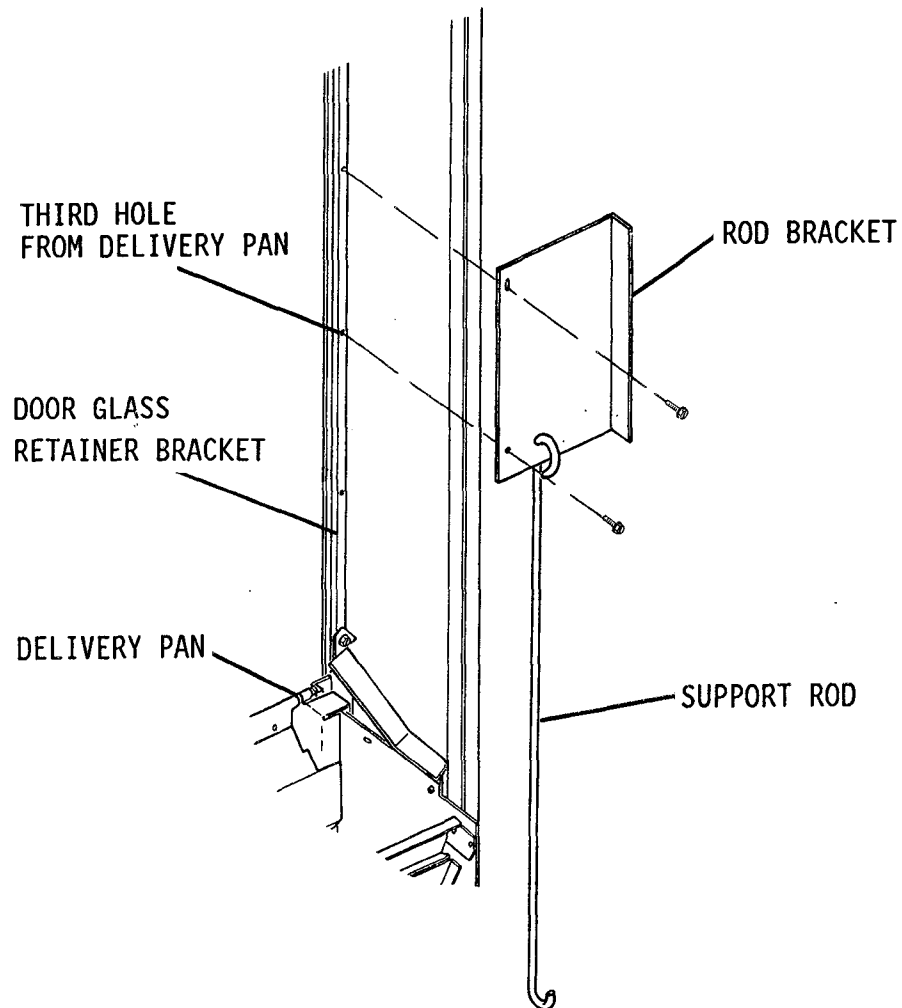


FIGURE 3. Rod Bracket Installation

INSTALLING THE GUM AND MINT DOOR PULL

1. Attach Door Pull to the right side of the Gum and Mint Frame Assembly at the Support Arm mounting hole position using #10-32 screw P/N 4041053 supplied with kit. Do not tighten screw at this time. See Figure 4.
2. With the Gum and Mint unit in the vend position and the Door Pull hanging freely, align the Door Pull with the frame and tighten screw.
3. Using the free hole in the Door Pull as a guide, drill a 11/64 in. hole in the outer surface of the frame. See Figure 4.
4. Install the remaining #10-32 screw through the Door Pull and into the frame.

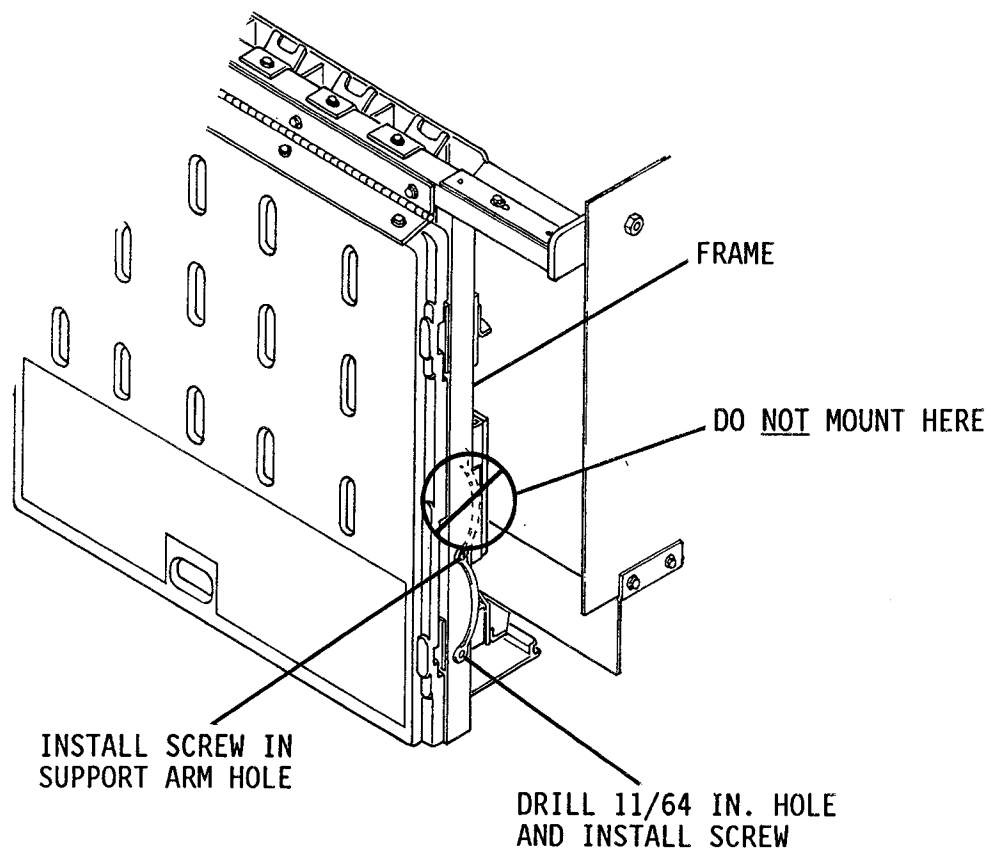


FIGURE 4. Mounting the Door Pull

DISCONNECTING THE SUPPORT ARM ASSEMBLIES

1. Raise the Gum and Mint Magazine into the loading position and verify that the Support Rod will engage the Door Pull. See Figure 5.

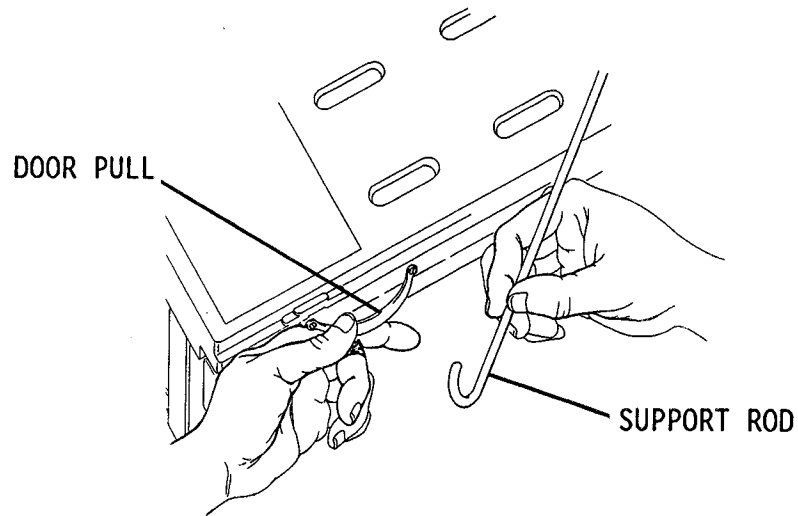


FIGURE 5. Checking the Door Pull/Support Rod Installation

2. With the Gum and Mint Magazine held in the loading position by the Support Rod, disconnect the lower arm of the left side Support Arm Assembly from the delivery pan assembly as shown in Figure 1. Remove the screw and nut securing the lower arm and the bushing to the delivery pan bracket on the left side. Repeat for the right side.